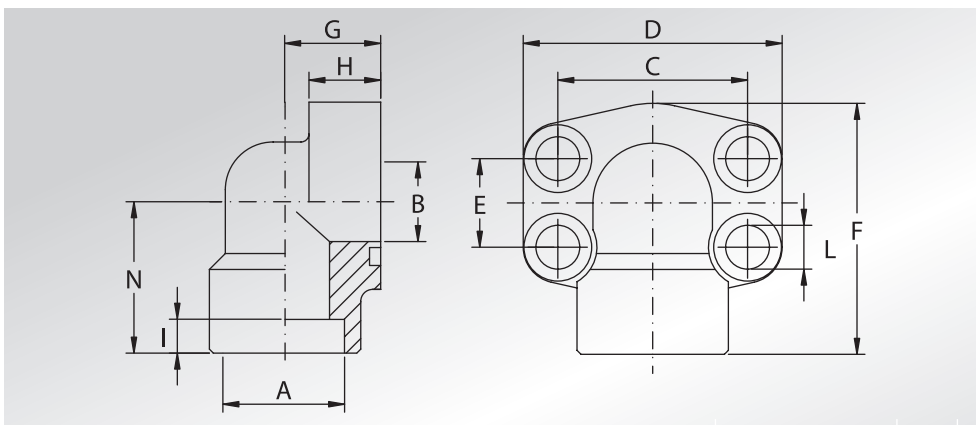


**FLANGE A 90°
A SALDARE
DI TASCA**



**WELD IN
90° FLANGES**



Pressione max di esercizio raccomandata Kg/cm ²	Grandezza	Tipo	Dimensioni											Viti		Or tipo	Peso Kg
Maximum recommended working pressure Kg/cm ²	Size	Type	Dimensions											Screws		Or type	Weight Kg
			A	B	C	D	E	F	G	H	I	L	N	Metric	Unc		

SERIE 3000

345	1/2"	AFS08090S	21,6	13	38,10	54	17,48	60	20	16	10	9	37	M8x30	5/16"x1"1/4	4075	0,28
345	1/2"	AFS08090S038	17,5	13	38,10	54	17,48	60	20	16	10	9	37	M8x30	5/16"x1"1/4	4075	0,29
345	3/4"	AFS10090S	27,2	19	47,63	65	22,23	63	24	18	10	11	38	M10x35	3/8"x1"1/2	4100	0,45
345	1"	AFS10290S	34,0	25	52,37	70	26,19	70	28	19	12	11	43	M10x35	3/8"x1"1/2	4131	0,56
276	1"1/4	AFS10490S	42,8	32	58,72	79	30,18	85	34	21	14	11,5	51	M10x40	7/16"x1"3/4	4150	0,89
207	1"1/2	AFS10690S	48,6	38	69,85	93	35,71	95	38	25	16	13,5	56	M12x45	1/2"x1"3/4	4187	1,18
207	2"	AFS10890S	61,0	51	77,77	110	42,88	110	42	25	18	13,5	65	M12x45	1/2"x1"3/4	4225	2,06

SERIE 6000

414	1/2"	AFS40190S012	21,6	13	40,49	54	18,24	60	20	16	10	9	37	M8x30	5/16"x1"1/4	4075	0,28
414	1/2"	AFS40190S038	17,5	13	40,49	54	18,24	60	20	16	10	9	37	M8x30	5/16"x1"1/4	4075	0,29
414	3/4"	AFS40290S	27,2	19	50,80	70	23,80	70	28	19	12	11	43	M10x40	3/8"x1"1/2	4100	0,69
414	1"	AFS40390S	34,0	25	57,15	79	27,76	85	34	21	14	13	51	M12x45	7/16"x1"3/4	4131	1,11
414	1"1/4	AFS40490S	42,8	32	66,68	93	31,75	95	38	25	16	15	56	M14x45	-	4150	1,45
414	1"1/4	AFS40490SL13	42,8	32	66,68	93	31,75	95	38	25	16	13,5	56	M12x45	1/2"x1"3/4	4150	1,45
414	1"1/2	AFS40590S	48,6	38	79,38	110	36,50	110	42	25	18	17	65	M16x55	5/8"x2"1/4	4187	2,75
414	2"	AFS40690S	61,0	51	96,82	134	44,45	132	45	35	25	21	75	M20x70	3/4"x2"3/4	4225	3,85

DESIGNAZIONE PER ORDINE DESIGNATION FOR ORDER	Materiale / Material	
	S355	AISI 316L
Solo flangia Only flange	AFS...90S	AFX...90S
Flangia completa di viti metriche, grower e o-ring Flange complete of metric screws, grower type washers and o-ring	AFS...90SM	AFX...90SM
Flangia completa di viti unc, grower e o-ring Flange complete of unc screws, grower type washers and o-ring	AFS...90SU	AFX...90SU

NOTE / NOTES

set viti unc disponibili solo in acciaio al carbonio
unc screws set available only in carbon steel